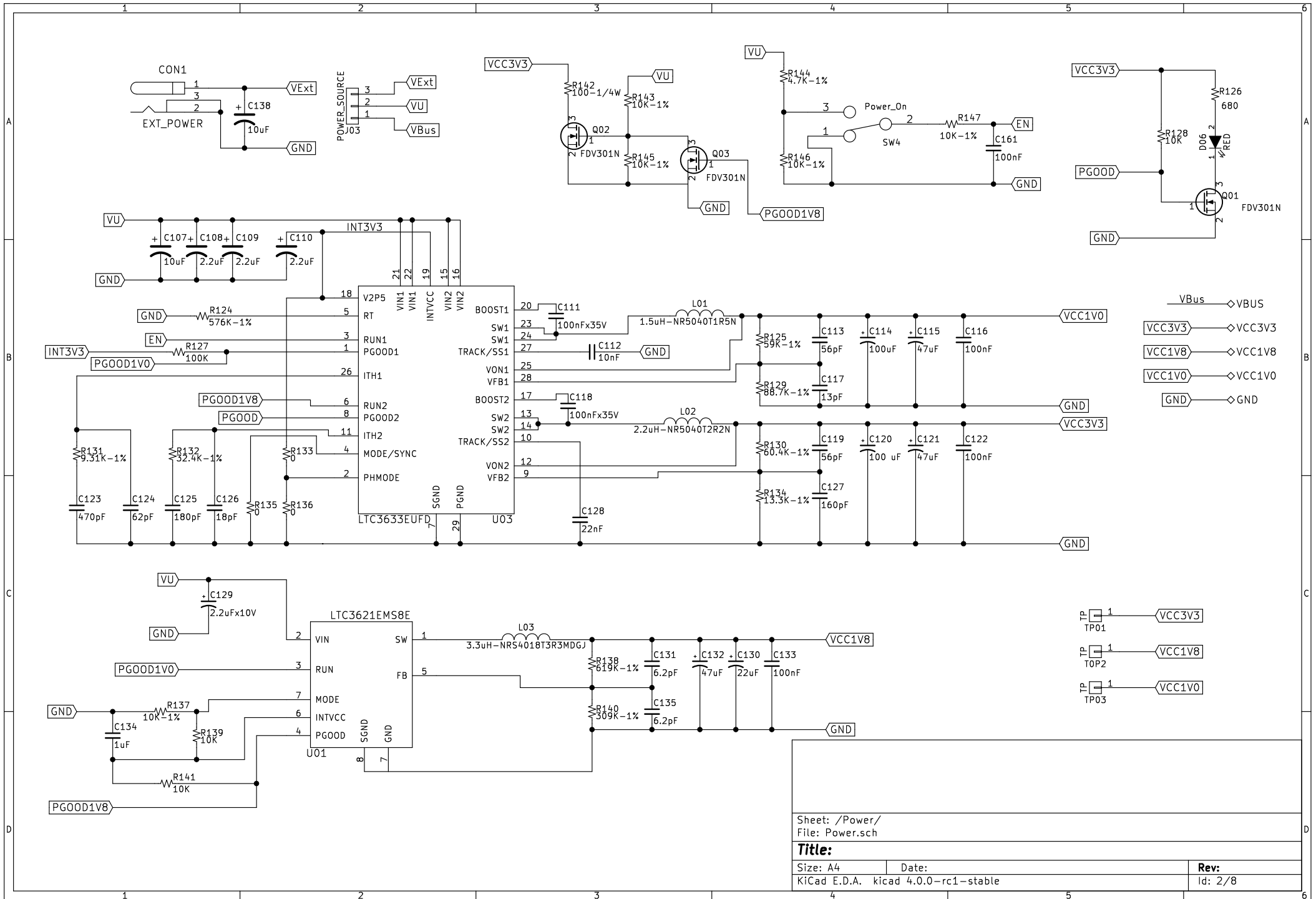


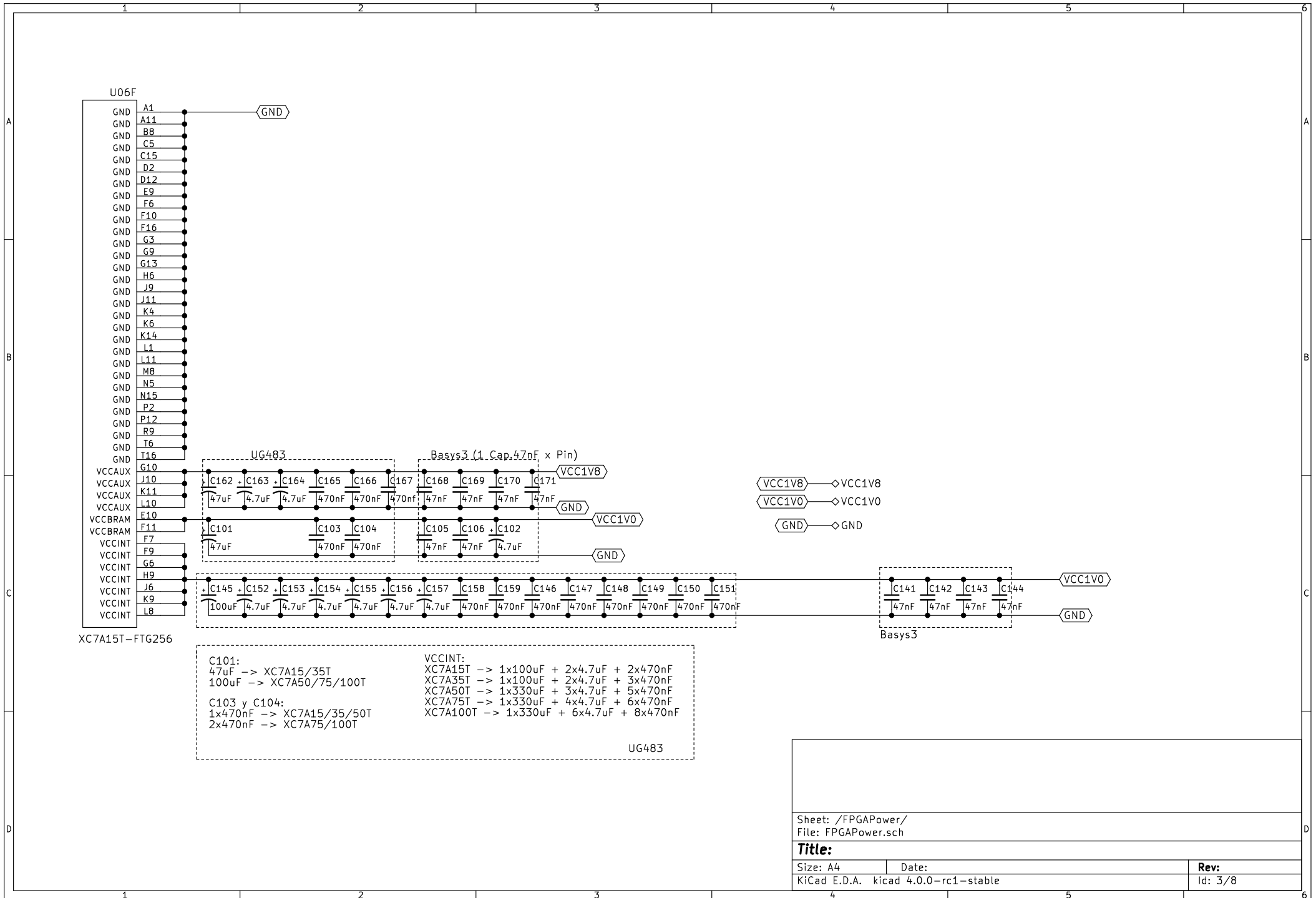
Pedro Ignacio Martos
FI-UBA

Sheet: /
 File: EduCiaaX.sch

Title: EDU-CIAA-X

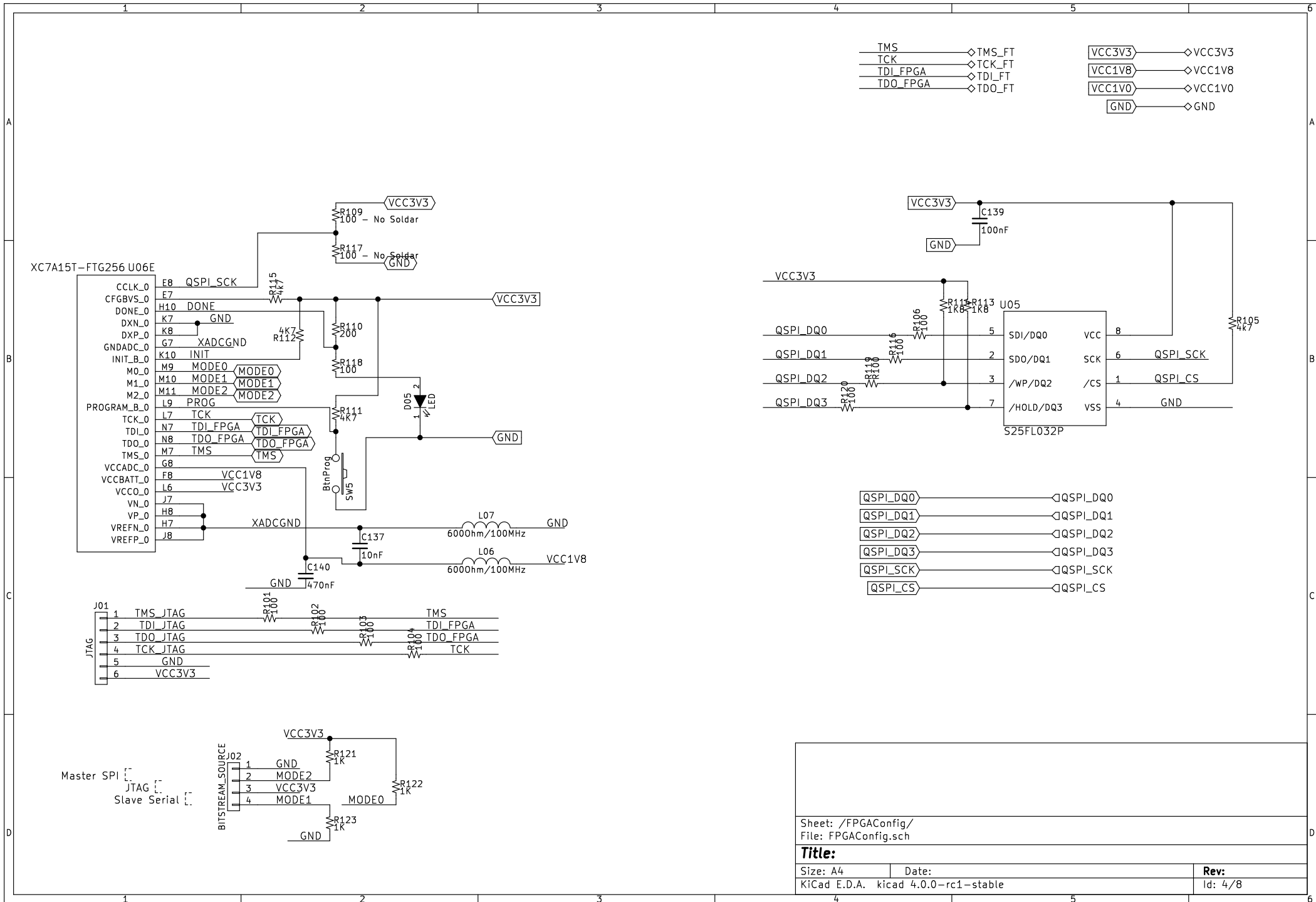
Size: A4	Date:	Rev: V1.00
KiCad E.D.A. kicad 4.0.0-rc1-stable		Id: 1/8





- UG483**
- | | |
|--------------------------|---|
| C101: | VCCINT: |
| 47uF -> XC7A15/35T | XC7A15T -> 1x100uF + 2x4.7uF + 2x470nF |
| 100uF -> XC7A50/75/100T | XC7A35T -> 1x100uF + 2x4.7uF + 3x470nF |
| | XC7A50T -> 1x330uF + 3x4.7uF + 5x470nF |
| C103 y C104: | XC7A75T -> 1x330uF + 4x4.7uF + 6x470nF |
| 1x470nF -> XC7A15/35/50T | XC7A100T -> 1x330uF + 6x4.7uF + 8x470nF |
| 2x470nF -> XC7A75/100T | |

Sheet: /FPGAPower/	
File: FPGAPower.sch	
Title:	
Size: A4	Date:
KiCad E.D.A. kicad 4.0.0-rc1-stable	Rev: Id: 3/8



Sheet: /FPGAConfig/
 File: FPGAConfig.sch

Title:

Size: A4	Date:
KiCad E.D.A. kicad 4.0.0-rc1-stable	Rev: Id: 4/8

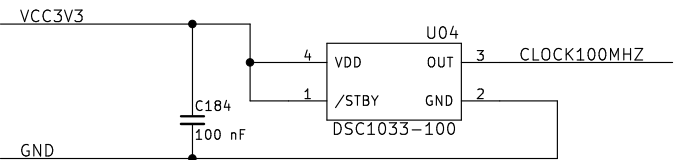
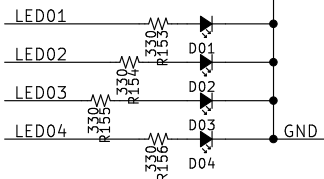
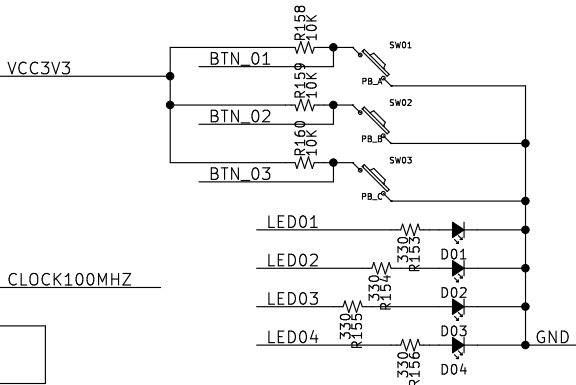
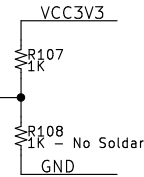
XC7A15T-FTG256 U06D

IO_0_14	K12	LED01
IO_25_14	P6	LED02
IO_L10N_T1_D15_14	T15	IO_L10N_T1_14
IO_L10P_T1_D14_14	T14	IO_L10P_T1_14
IO_L11N_T1_SRCC_14	P13	IO_L11N_T1_14
IO_L11P_T1_SRCC_14	N13	IO_L11P_T1_14
IO_L12N_T1_MRCC_14	P14	CLOCK100MHZ
IO_L12P_T1_MRCC_14	N14	BTN_03
IO_L13N_T2_MRCC_14	N12	IO_L13N_T2_14
IO_L13P_T2_MRCC_14	N11	IO_L13P_T2_14
IO_L14N_T2_SRCC_14	P11	IO_L14N_T2_14
IO_L14P_T2_SRCC_14	P10	IO_L14P_T2_14
IO_L15N_T2_DQS_DOUT_CS0_B_14	T12	IO_L15N_T2_14
IO_L15P_T2_DQS_RDWR_B_14	R12	IO_L15P_T2_14
IO_L16N_T2_A15_D31_14	T13	IO_L16N_T2_14
IO_L16P_T2_CS1_B_14	R13	IO_L16P_T2_14
IO_L17N_T2_A13_D29_14	R11	IO_L17N_T2_14
IO_L17P_T2_A14_D30_14	R10	IO_L17P_T2_14
IO_L18N_T2_A11_D27_14	P9	IO_L18N_T2_14
IO_L18P_T2_A12_D28_14	N9	IO_L18P_T2_14
IO_L19N_T3_A09_D25_VREF_14	N6	IO_L19N_T3_14
IO_L19P_T3_A10_D26_14	M6	IO_L19P_T3_14
IO_L1N_T0_D01_DIN_14	J14	QSPI_DQ1
IO_L1P_T0_D00_MOSI_14	J13	QSPI_DQ0
IO_L20N_T3_A07_D23_14	R8	TxD_FPGA
IO_L20P_T3_A08_D24_14	P8	RTS_FPGA
IO_L21N_T3_DQS_A06_D22_14	T8	DTR_FPGA
IO_L21P_T3_DQS_14	T7	RxD_FPGA
IO_L22N_T3_A04_D20_14	T10	CTS_FPGA
IO_L22P_T3_A05_D21_14	T9	DCD_FPGA
IO_L23N_T3_A02_D18_14	T5	DSR_FPGA
IO_L23P_T3_A03_D19_14	R5	RI_FPGA
IO_L24N_T3_A00_D16_14	R7	LED03
IO_L24P_T3_A01_D17_14	R6	LED04
IO_L2N_T0_D03_14	K16	QSPI_DQ3
IO_L2P_T0_D02_14	K15	QSPI_DQ2
IO_L3N_T0_DQS_EMCCLK_14	M15	BTN_01
IO_L3P_T0_DQS_PUDC_B_14	L15	
IO_L4N_T0_D05_14	M14	IO_L4N_T0_14
IO_L4P_T0_D04_14	L14	IO_L4P_T0_14
IO_L5N_T0_D07_14	L13	IO_L5N_T0_14
IO_L5P_T0_D06_14	K13	IO_L5P_T0_14
IO_L6N_T0_D08_VREF_14	M12	BTN_02
IO_L6P_T0_FCS_B_14	L12	QSPI_CS
IO_L7N_T1_D10_14	N16	IO_L7N_T1_14
IO_L7P_T1_D09_14	M16	IO_L7P_T1_14
IO_L8N_T1_D12_14	P16	IO_L8N_T1_14
IO_L8P_T1_D11_14	P15	IO_L8P_T1_14
IO_L9N_T1_DQS_D13_14	R16	IO_L9N_T1_14
IO_L9P_T1_DQS_14	R15	IO_L9P_T1_14
VCC0_14	L16	
VCC0_14	M13	
VCC0_14	N10	
VCC0_14	P7	
VCC0_14	R14	
VCC0_14	T11	

GND	1	CON4	2	VCC3V3
IO_L4N_T0_14	3		4	IO_L4P_T0_14
IO_L5N_T0_14	5		6	IO_L5P_T0_14
IO_L7N_T1_14	7		8	IO_L7P_T1_14
IO_L8N_T1_14	9		10	IO_L8P_T1_14
IO_L9N_T1_14	11		12	IO_L9P_T1_14
IO_L10N_T1_14	13		14	IO_L10P_T1_14
IO_L11N_T1_14	15		16	IO_L11P_T1_14
IO_L13N_T2_14	17		18	IO_L13P_T2_14
IO_L14N_T2_14	19		20	IO_L14P_T2_14
IO_L15N_T2_14	21		22	IO_L15P_T2_14
IO_L16N_T2_14	23		24	IO_L16P_T2_14
IO_L17N_T2_14	25		26	IO_L17P_T2_14
IO_L18N_T2_14	27		28	IO_L18P_T2_14
IO_L19N_T3_14	29		30	IO_L19P_T3_14
GND	31		32	VCC3V3

VCC3V3	◇	VCC3V3
VCC1V8	◇	VCC1V8
VCC1V0	◇	VCC1V0
GND	◇	GND
QSPI_DQ0	◇	QSPI_DQ0
QSPI_DQ1	◇	QSPI_DQ1
QSPI_DQ2	◇	QSPI_DQ2
QSPI_DQ3	◇	QSPI_DQ3
QSPI_CS	◇	QSPI_CS
QSPI_SCK	◇	QSPI_SCK

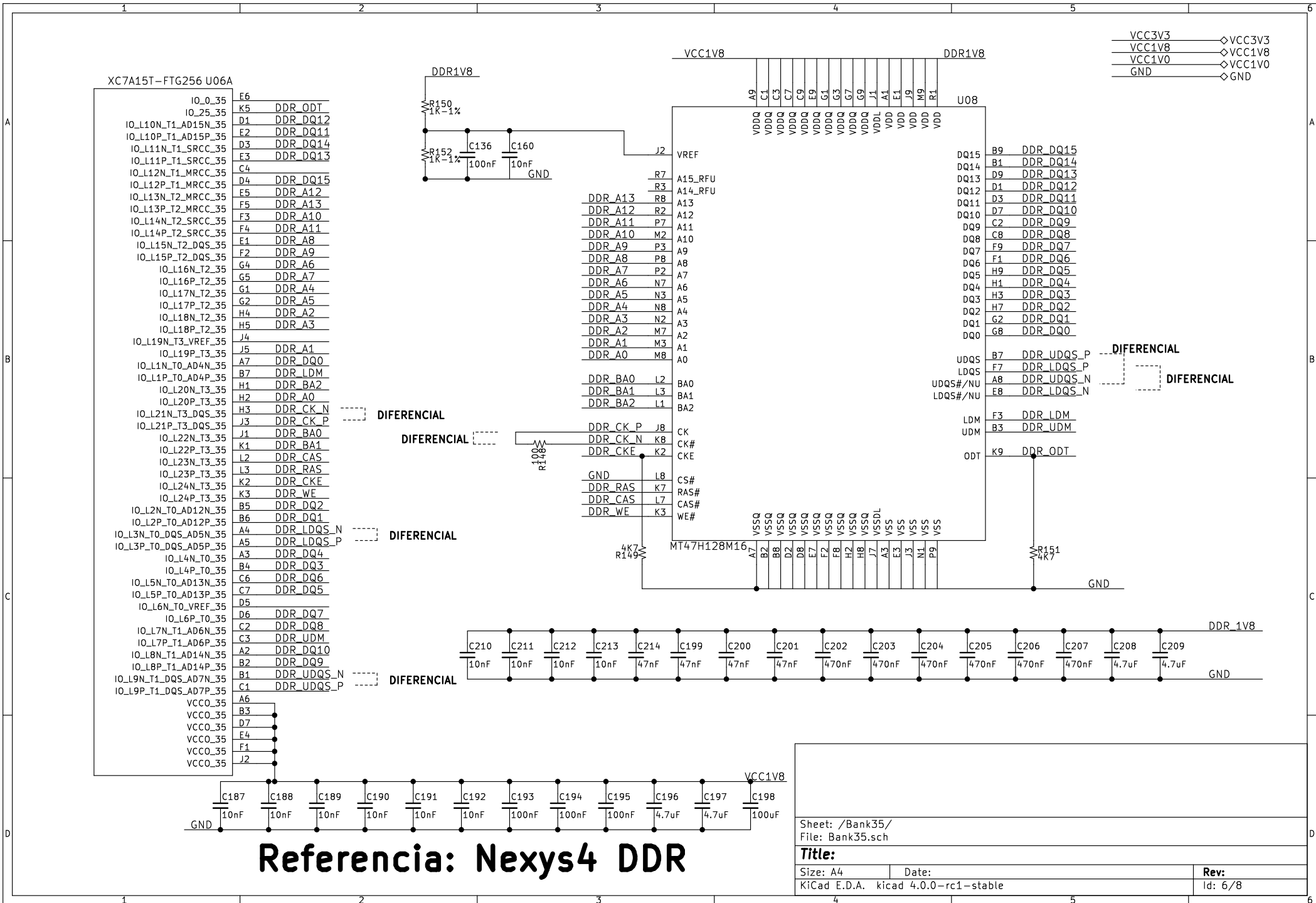
TxD_FPGA	◇	TxD
RTS_FPGA	◇	RTS
DTR_FPGA	◇	DTR
RxD_FPGA	◇	RxD
CTS_FPGA	◇	CTS
DCD_FPGA	◇	DCD
DSR_FPGA	◇	DSR
RI_FPGA	◇	RI



Sheet: /Bank14/
File: Bank14.sch

Title:

Size: A4	Date:	Rev:
KiCad E.D.A. kicad 4.0.0-rc1-stable		Id: 5/8



Referencia: Nexys4 DDR

Sheet: /Bank35/		Date:	
File: Bank35.sch		Rev:	
Size: A4	KiCad E.D.A. kicad 4.0.0-rc1-stable	Id: 6/8	

XC7A15T-FTG256 U06C

IO_0_15	D10	IO_0_15
IO_25_15	G11	IO_25_15
IO_L10N_T1_AD11N_15	B16	IO_L10N_T1_15
IO_L10P_T1_AD11P_15	C16	IO_L10P_T1_15
IO_L11N_T1_SRCC_15	C12	IO_L11N_T1_15
IO_L11P_T1_SRCC_15	C11	IO_L11P_T1_15
IO_L12N_T1_MRCC_15	C13	IO_L12N_T1_15
IO_L12P_T1_MRCC_15	D13	IO_L12P_T1_15
IO_L13N_T2_MRCC_15	F13	IO_L13N_T2_15
IO_L13P_T2_MRCC_15	E12	IO_L13P_T2_15
IO_L14N_T2_SRCC_15	D11	IO_L14N_T2_15
IO_L14P_T2_SRCC_15	E11	IO_L14P_T2_15
IO_L15N_T2_DQS_ADV_B_15	D15	IO_L15N_T2_15
IO_L15P_T2_DQS_15	D14	IO_L15P_T2_15
IO_L16N_T2_A27_15	F13	IO_L16N_T2_15
IO_L16P_T2_A28_15	F12	IO_L16P_T2_15
IO_L17N_T2_A25_15	D16	IO_L17N_T2_15
IO_L17P_T2_A26_15	E16	IO_L17P_T2_15
IO_L18N_T2_A23_15	F15	IO_L18N_T2_15
IO_L18P_T2_A24_15	F15	IO_L18P_T2_15
IO_L19N_T3_A21_VREF_15	G12	IO_L19N_T3_15
IO_L19P_T3_A22_15	H11	IO_L19P_T3_15
IO_L1N_TO_ADDN_15	C9	IO_L1N_TO_15
IO_L1P_TO_ADDP_15	C8	IO_L1P_TO_15
IO_L20N_T3_A19_15	H13	IO_L20N_T3_15
IO_L20P_T3_A20_15	H12	IO_L20P_T3_15
IO_L21N_T3_DQS_A18_15	F14	IO_L21N_T3_15
IO_L21P_T3_DQS_15	G14	IO_L21P_T3_15
IO_L22N_T3_A16_15	G16	IO_L22N_T3_15
IO_L22P_T3_A17_15	H16	IO_L22P_T3_15
IO_L23N_T3_FWE_B_15	J16	IO_L23N_T3_15
IO_L23P_T3_FOE_B_15	J15	IO_L23P_T3_15
IO_L24N_T3_RS0_15	G15	IO_L24N_T3_15
IO_L24P_T3_RS1_15	H14	IO_L24P_T3_15
IO_L2N_TO_AD8N_15	A9	IO_L2N_TO_15
IO_L2P_TO_AD8P_15	A8	IO_L2P_TO_15
IO_L3N_TO_DQS_AD1N_15	A10	IO_L3N_TO_15
IO_L3P_TO_DQS_AD1P_15	B9	IO_L3P_TO_15
IO_L4N_TO_15	B11	IO_L4N_TO_15
IO_L4P_TO_15	B10	IO_L4P_TO_15
IO_L5N_TO_AD9N_15	A12	IO_L5N_TO_15
IO_L5P_TO_AD9P_15	B12	IO_L5P_TO_15
IO_L6N_TO_VREF_15	D9	IO_L6N_TO_15
IO_L6P_TO_15	D8	IO_L6P_TO_15
IO_L7N_T1_AD2N_15	A14	IO_L7N_T1_15
IO_L7P_T1_AD2P_15	A13	IO_L7P_T1_15
IO_L8N_T1_AD10N_15	B14	IO_L8N_T1_15
IO_L8P_T1_AD10P_15	C14	IO_L8P_T1_15
IO_L9N_T1_DQS_AD3N_15	A15	IO_L9N_T1_15
IO_L9P_T1_DQS_AD3P_15	B15	IO_L9P_T1_15
VCCO_15	A16	VCC BK15
VCCO_15	B13	
VCCO_15	C10	
VCCO_15	E14	
VCCO_15	H15	
VCCO_15	J12	

Single Ended

Diferenciales

GND	CON3	1	2	VCC3V3
IO_0_15	3	4	IO_25_15	
IO_L1N_TO_15	5	6	IO_L13N_T2_15	
IO_L1P_TO_15	7	8	IO_L13P_T2_15	
IO_L2N_TO_15	9	10	IO_L14N_T2_15	
IO_L2P_TO_15	11	12	IO_L14P_T2_15	
IO_L3N_TO_15	13	14	IO_L15N_T2_15	
IO_L3P_TO_15	15	16	IO_L15P_T2_15	
IO_L4N_TO_15	17	18	IO_L16N_T2_15	
IO_L4P_TO_15	19	20	IO_L16P_T2_15	
IO_L5N_TO_15	21	22	IO_L17N_T2_15	
IO_L5P_TO_15	23	24	IO_L17P_T2_15	
IO_L6N_TO_15	25	26	IO_L18N_T2_15	
IO_L6P_TO_15	27	28	IO_L18P_T2_15	
IO_L7N_T1_15	29	30	IO_L19N_T3_15	
IO_L7P_T1_15	31	32	IO_L19P_T3_15	
IO_L8N_T1_15	33	34	IO_L20N_T3_15	
IO_L8P_T1_15	35	36	IO_L20P_T3_15	
IO_L9N_T1_15	37	38	IO_L21N_T3_15	
IO_L9P_T1_15	39	40	IO_L21P_T3_15	
IO_L10N_T1_15	41	42	IO_L22N_T3_15	
IO_L10P_T1_15	43	44	IO_L22P_T3_15	
IO_L11N_T1_15	45	46	IO_L23N_T3_15	
IO_L11P_T1_15	47	48	IO_L23P_T3_15	
IO_L12N_T1_15	49	50	IO_L24N_T3_15	
IO_L12P_T1_15	51	52	IO_L24P_T3_15	
VCC IO15	53	54	VCC_1V8	

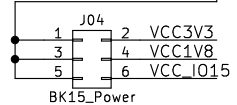
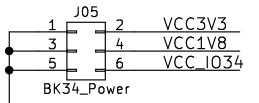
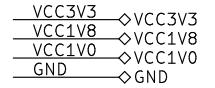
XC7A15T-FTG256 U06B

IO_0_34	L5	IO_0_34
IO_L10P_T1_34	P5	IO_L10P_T1_34
IO_L1N_TO_34	M4	IO_L1N_TO_34
IO_L1P_TO_34	L4	IO_L1P_TO_34
IO_L2N_TO_34	M1	IO_L2N_TO_34
IO_L2P_TO_34	M2	IO_L2P_TO_34
IO_L3N_TO_DQS_34	N2	IO_L3N_TO_34
IO_L3P_TO_DQS_34	N3	IO_L3P_TO_34
IO_L4N_TO_34	P1	IO_L4N_TO_34
IO_L4P_TO_34	N1	IO_L4P_TO_34
IO_L5N_TO_34	P3	IO_L5N_TO_34
IO_L5P_TO_34	P4	IO_L5P_TO_34
IO_L6N_TO_VREF_34	N4	IO_L6N_TO_34
IO_L6P_TO_34	M5	IO_L6P_TO_34
IO_L7N_T1_34	R1	IO_L7N_T1_34
IO_L7P_T1_34	R2	IO_L7P_T1_34
IO_L8N_T1_34	T2	IO_L8N_T1_34
IO_L8P_T1_34	R3	IO_L8P_T1_34
IO_L9N_T1_DQS_34	T3	IO_L9N_T1_34
IO_L9P_T1_DQS_34	T4	IO_L9P_T1_34
VCCO_34	M3	VCC BK34
VCCO_34	R4	
VCCO_34	T1	

Single Ended

Diferenciales

GND	CON5	1	2	VCC3V3
IO_0_34	3	4	IO_L10P_T1_34	
IO_L1N_TO_34	5	6	IO_L1P_TO_34	
IO_L2N_TO_34	7	8	IO_L2P_TO_34	
IO_L3N_TO_34	9	10	IO_L3P_TO_34	
IO_L4N_TO_34	11	12	IO_L4P_TO_34	
IO_L5N_TO_34	13	14	IO_L5P_TO_34	
IO_L6N_TO_34	15	16	IO_L6P_TO_34	
IO_L7N_T1_34	17	18	IO_L7P_T1_34	
IO_L8N_T1_34	19	20	IO_L8P_T1_34	
IO_L9N_T1_34	21	22	IO_L9P_T1_34	
VCC IO34	23	24	VCC1V8	



Sheet: /Bank15/
 File: Bank15.sch
Title:
 Size: A4 Date:
 KiCad E.D.A. kicad 4.0.0-rc1-stable Rev:
 Id: 7/8

